

CHA811
 • Card holder 8.5" x 11"

CHA85
 • Card holder 8.5" x 5.5"

TB
 • Towing bar

RRC
 • Central brake on 2 wheels

CL
 • Lock with 2 keys

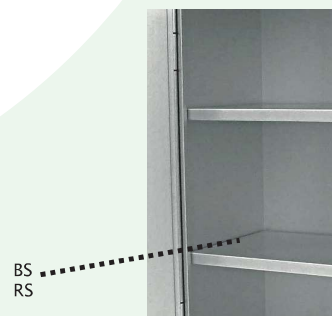
BS
 • Backstop rod for breaking

BD
 • Manual direction lock on 2 wheel

RS
 • Vertical pivot or sloping shelves

RR
 • Single foot brake

TSA
 • Bumper at the top



BS
 RS

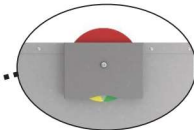
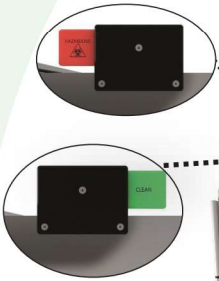
RSX

- Folding wire shelf in stainless steel



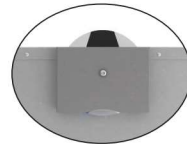
SLC02

- Visual indicator for sterile processed and contaminated not processed material



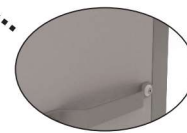
WECOAL3

- Round 3 color sterile indicator



WECOAL5

- Round 5 color location identification wheel



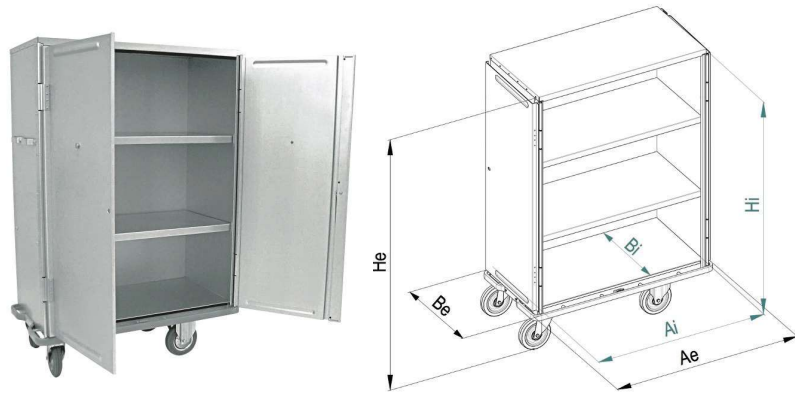
AGP

- Strengthening corner in stainless steel




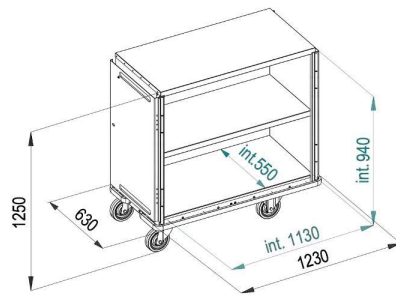
- Chassis and wheel in stainless steel AISI 304






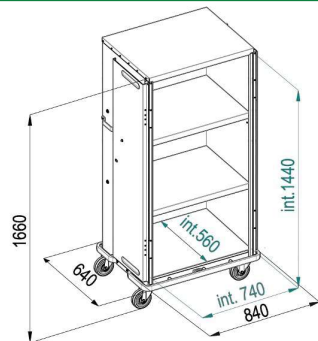
- Equipped with 2 equal distance shelves

Model	Ae	Be	He	Ai	Bi	Hi	
N204	1230	630	1750	1130	550	1440	Ø200
	48 1/2	24 5/8	69	44 1/2	21 3/4	56 3/4	Ø8
N294MD	1230	630	1500	1130	550	1190	Ø200
	48 1/2	24 5/8	59	44 1/2	21 3/4	42 7/8	Ø8



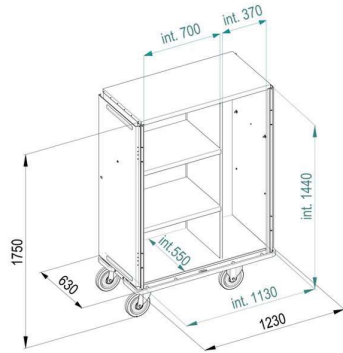
- Equipped with 1 in the middle of the cart

Model	Ae	Be	He	Ai	Bi	Hi	
N204P	1230	630	1250	1130	550	940	Ø160
	48 1/2	24 5/8	49 1/4	44 1/2	21 3/4	37	Ø6 1/4



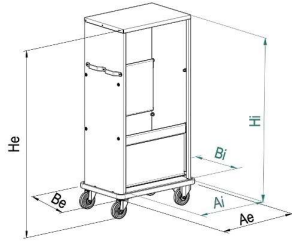
- Equipped with 2 equal distance shelves

Model	Ae	Be	He	Ai	Bi	Hi	
N204TRUCK	840	640	1660	740	560	1440	Ø125
	33 1/8	25 1/4	65 3/8	29 1/8	22 1/8	56 3/4	Ø5




- Inside equipped with vertical partition placed at 1/3 of the length with cross bar at the top of one part and 2 equal distance shelves on the larger side

Model	Ae	Be	He	Ai	Bi	Hi	
N204DV	1230	630	1750	1130	550	1440	Ø200
	48 1/2	24 5/8	69	44 1/2	21 3/4	56 3/4	Ø8




- Suitable for transport of soiled and clean linen after regular washing and cleaning. Equipped with 2 hinged shelves placed in horizontal position for clean linen loading or in a vertical position for dirty linen bags loading.



Model	Ae	Be	He	Ai	Bi	Hi	
871/10	840	630	1660	740	580	1460	Ø125
	33 1/8	24 5/8	66 3/8	29 1/8	22 7/8	57 1/2	5
871/20	750	500	1460	650	450	1260	Ø125
	29 1/2	19 3/4	57 1/2	25 5/8	17 3/4	49 5/8	Ø5



- Open cart with 2 horizontal shelves that adjust vertically for the distribution of clean linen and the collection of soiled linen

Model	Ae	Be	He	Ai	Bi	Hi	
2030PN-S	1560	600	1800	904	575	1590	Ø60
	61 1/2	23 5/8	70 7/8	59 1/2	22 5/8	57 1/2	6 1/4
2030PN-L	952	600	1800	904	575	1590	Ø160
	37 1/2	23 5/8	70 7/8	59 1/2	22 5/8	57 1/2	6 1/4