



TB  
• Towing bar

RRC  
• Central brake on 2 wheels

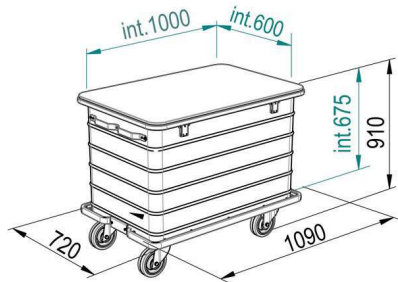
RR  
• Single foot brake

BD  
• Manual direction lock on 2 wheel  
RUB  
• Drain lever on the bottom


01

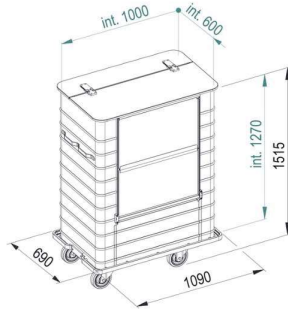
- Locking hinge to secure the lid in the open position






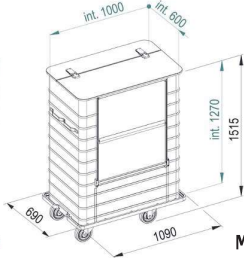
- Folding lid 270° with 2 lever locks for safety closure

Model	Ae	Be	He	Ai	Bi	Hi	Vol	
203CC350	1090	720	910	1000	600	675	350	Ø160
	43	28 3/8	35 7/8	39 3/8	23 5/8	26 5/8	93	Ø6 1/4




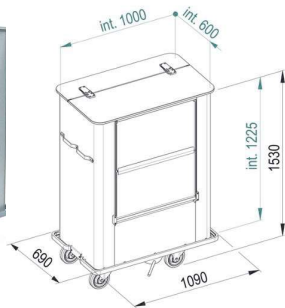
- Fully and easily removable lid

Model	Ae	Be	He	Ai	Bi	Hi	Vol	
203CC	1090	690	1515	1000	600	1270	720	Ø160
	43	28 3/8	59 5/8	39 3/8	23 5/8	50	190	Ø6 1/4
203CC1100	1410	730	1515	1320	640	1270	1100	Ø160
	55 1/2	28 3/4	59 5/8	52	25 1/4	50	291	Ø6 1/4




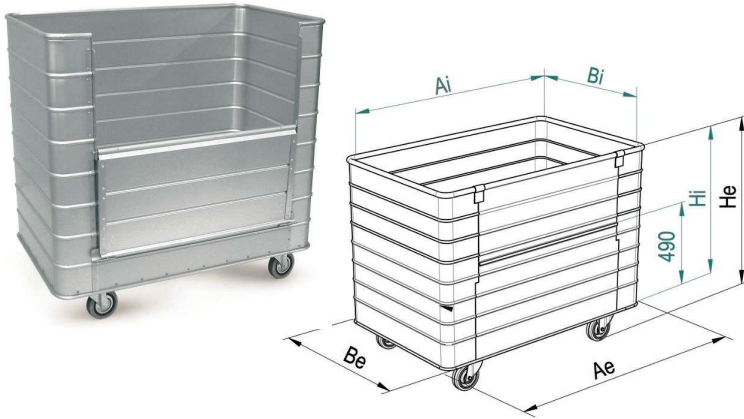
- Fully and easily removable lid

Model	Ae	Be	He	Ai	Bi	Hi	Vol	
203CC2S	1090	690	1515	1000	600	1220	720	Ø160
	43	27 1/8	59 5/8	39 3/8	23 5/8	48	190	Ø6 1/4
203CC2S1100	1410	730	1515	1320	640	1220	1100	Ø200
	55 1/2	28 3/4	59 5/8	52	25 1/4	48	291	Ø6 1/4




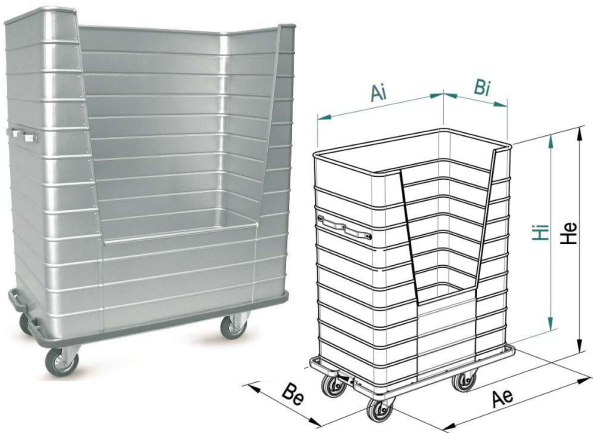
- Completely smooth wall for easy cleaning. Fully and easily removable lid. Double front lid on longer side which can be opened for easy loading/unloading. Drain cock 1 1/4" with pedal release.

Model	Ae	Be	He	Ai	Bi	Hi	Vol	
203CCSN	1090	690	1515	1000	600	1225	720	Ø200
	43	27 1/8	59 5/8	39 3/8	23 5/8	48 1/4	190	Ø6 1/4
203CCSN1100	1410	730	1515	1320	640	1225	1100	Ø200
	55 1/2	28 3/4	59 5/8	52	25 1/4	48 1/4	291	Ø6 1/4




- Front hinged folds down middle wall. Solid (N) or perforated (F) walls and bottom.

Model		Ae	Be	He	Ai	Bi	Hi	Vol	
203NRN/10	N	1330	730	1090	1300	700	910	830	Ø125 (B)
	N	52 3/8	28 3/4	43	51 1/8	27 1/8	35 7/8	220	Ø5 (B)
203NRN/33	N	1030	630	1090	1000	600	910	600	Ø125 (D)
	N	43	24 7/8	43	39 3/8	23 5/8	35 7/8	159	Ø5 (D)
203NRF/10	F	1330	730	1090	1300	700	910	830	Ø125 (B)
	F	43	28 3/4	43	51 1/8	27 1/2	35 7/8	220	Ø5 (B)
203NRF/33	F	1030	630	1090	1000	600	910	600	Ø125 (D)
	F	52 3/8	24 7/8	43	39 3/8	23 5/8	35 7/8	159	Ø5 (D)



- Designed for soiled linen transport, equipped with angled front opening lid.

Model		Ae	Be	He	Ai	Bi	Hi	Vol	
111LL/10		1410	730	1610	1320	640	1380	1160	Ø160
		43	28 3/8	63 3/8	52	25 1/4	54 3/8	423	Ø6 1/4
111LL/20		1090	690	1610	1000	600	1380	820	Ø160
		43	27 1/8	63 3/8	39 3/8	23 5/8	54 3/8	217	Ø6 1/4